

# SKIN ULTRA FIT BOTTOM TAIL

View from the user side

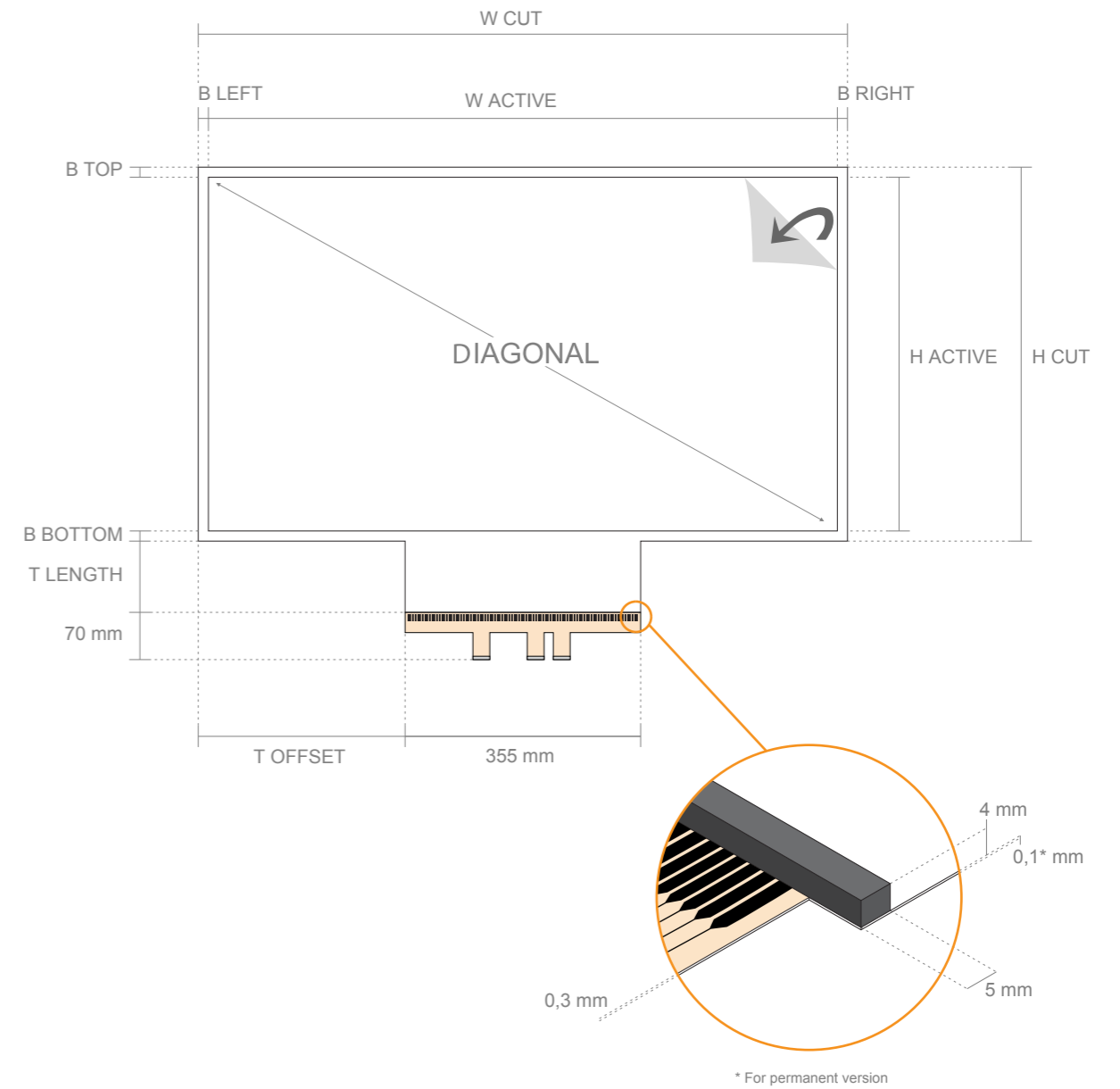
Standard sizes (mm)  
All information is  $\pm 1$ mm

Aspect Ratio 4:3

Diagonal	Wactive	Hactive	Wcut	Hcut	Btop	Bleft	Bright	Bbottom	TbottomOffset	TbottomLength
30	612	459	642	499	15	15	15	25	148	35
40	800	600	830	640	15	15	15	25	242	35
50	1000	750	1030	790	15	15	15	25	342	35
60	1200	900	1230	940	15	15	15	25	442	35
67	1354	1015	1384	1055	15	15	15	25	519	35
80	1600	1200	1630	1240	15	15	15	25	642	35
84	1700	1275	1730	1315	15	15	15	25	692	35

Aspect Ratio 16:9

Diagonal	Wactive	Hactive	Wcut	Hcut	Btop	Bleft	Bright	Bbottom	TbottomOffset	TbottomLength
30	664	374	694	414	15	15	15	25	170	35
32	699	393	729	433	15	15	15	25	187	35
40	886	498	916	538	15	15	15	25	281	35
42	930	523	960	563	15	15	15	25	303	35
43	941	530	971	570	15	15	15	25	308	35
46	1019	573	1049	613	15	15	15	25	347	35
47	1040	585	1070	625	15	15	15	25	358	35
48	1063	598	1093	638	15	15	15	25	369	35
49	1074	604	1104	644	15	15	15	25	375	35
50	1107	623	1137	663	15	15	15	25	391	35
52	1150	648	1180	688	15	15	15	25	413	35
55	1210	681	1240	721	15	15	15	25	443	35
57	1252	704	1282	744	15	15	15	25	464	35
58	1284	722	1314	762	15	15	15	25	480	35
60	1328	747	1358	787	15	15	15	25	502	35
65	1429	804	1459	844	15	15	15	25	552	35
68	1505	847	1535	887	15	15	15	25	590	35
70	1550	872	1580	912	15	15	15	25	613	35
72	1594	897	1624	937	15	15	15	25	635	35
74	1638	922	1668	962	15	15	15	25	657	35
75	1651	929	1681	969	15	15	15	25	663	35
80	1771	997	1801	1037	15	15	15	25	723	35
82	1815	1021	1845	1061	15	15	15	25	745	35
84	1860	1046	1890	1086	15	15	15	25	768	35
85	1882	1059	1912	1099	15	15	15	25	779	35
90	1990	1121	2020	1161	15	15	15	25	833	35
98	2159	1215	2189	1255	15	15	15	25	917	35
100	2210	1245	2240	1285	15	15	15	25	943	35
105	2325	1308	2355	1348	15	15	15	25	1000	35



		A3		
Material: SKIN - Polymer foil PCB - Fiberglass board Flex Cable - Polyester film	Date: 26/09/2016	Title: SKIN ULTRA FIT STANDARD SIZES DRAWING		
Projection: Third Angle Projection	Dimensions: All dimensions in millimeters		Document code MKT.267.6	Sheet 1 of 3

# SKIN ULTRA FIT SIDE TAIL

View from the user side

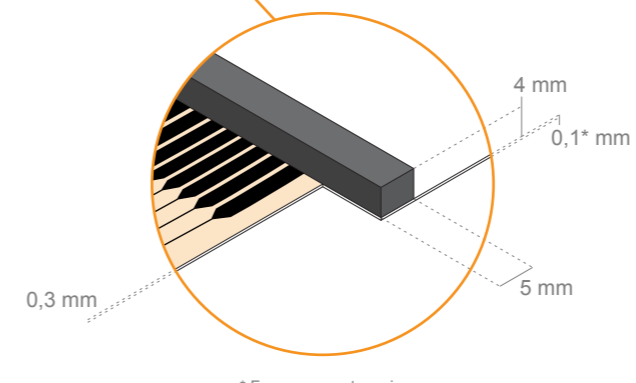
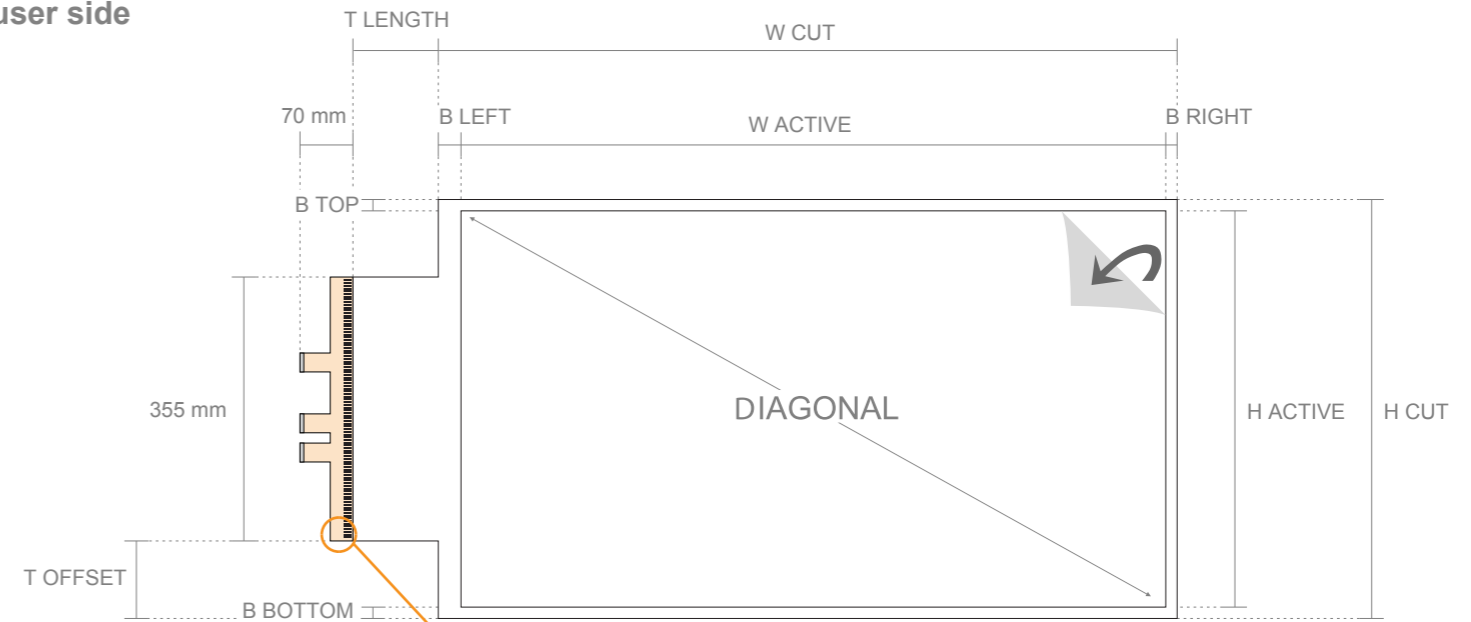
Standard sizes (mm)  
All information is ±1mm

Aspect Ratio 4:3

Diagonal	Wactive	Hactive	Wcut	Hcut	Btop	Bleft	Bright	Bbottom	TsideOffset	TsideLength
30	612	459	652	489	15	25	15	15	67	35
40	800	600	840	630	15	25	15	15	138	35
50	1000	750	1040	780	15	25	15	15	213	35
60	1200	900	1240	930	15	25	15	15	288	35
67	1354	1015	1394	1045	15	25	15	15	345	35
80	1600	1200	1640	1230	15	25	15	15	438	35
84	1700	1275	1740	1305	15	25	15	15	475	35

Aspect Ratio 16:9

Diagonal	Wactive	Hactive	Wcut	Hcut	Btop	Bleft	Bright	Bbottom	TsideOffset	TsideLength
30	664	374	704	404	15	25	15	15	25	35
32	699	393	739	423	15	25	15	15	34	35
40	886	498	926	528	15	25	15	15	87	35
42	930	523	970	553	15	25	15	15	99	35
43	941	530	981	560	15	25	15	15	103	35
46	1019	573	1059	603	15	25	15	15	124	35
47	1040	585	1080	615	15	25	15	15	130	35
48	1063	598	1103	628	15	25	15	15	137	35
49	1074	604	1114	634	15	25	15	15	140	35
50	1107	623	1147	653	15	25	15	15	149	35
52	1150	648	1190	678	15	25	15	15	162	35
55	1210	681	1250	711	15	25	15	15	178	35
57	1252	704	1292	734	15	25	15	15	190	35
58	1284	722	1324	752	15	25	15	15	199	35
60	1328	747	1368	777	15	25	15	15	211	35
65	1429	804	1469	834	15	25	15	15	240	35
68	1505	847	1545	877	15	25	15	15	261	35
70	1550	872	1590	902	15	25	15	15	274	35
72	1594	897	1634	927	15	25	15	15	286	35
74	1638	922	1678	952	15	25	15	15	299	35
75	1651	929	1691	959	15	25	15	15	302	35
80	1771	997	1811	1027	15	25	15	15	336	35
82	1815	1021	1855	1051	15	25	15	15	348	35
84	1860	1046	1900	1076	15	25	15	15	361	35
85	1882	1059	1922	1089	15	25	15	15	367	35
90	1990	1121	2030	1151	15	25	15	15	398	35
98	2159	1215	2199	1245	15	25	15	15	445	35
100	2210	1245	2250	1275	15	25	15	15	460	35

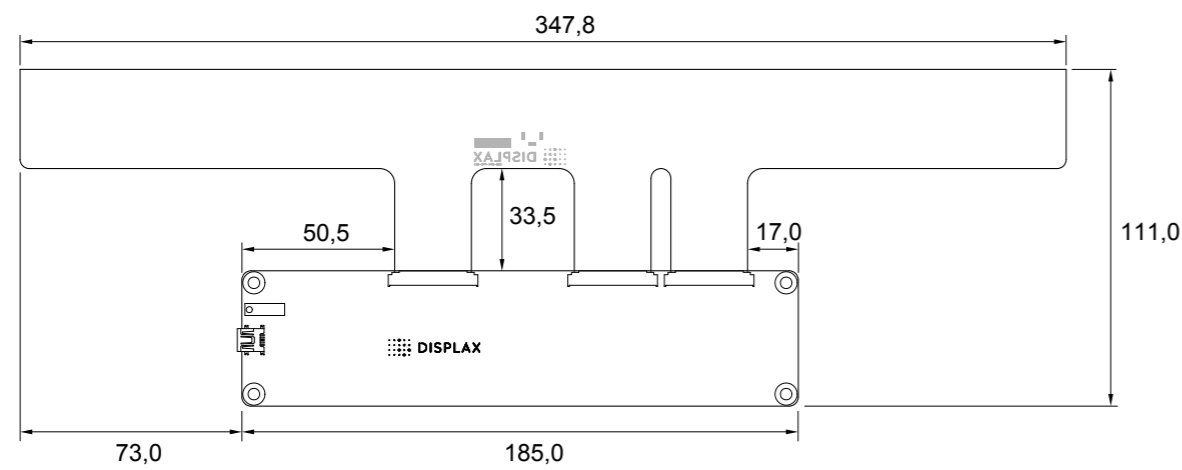
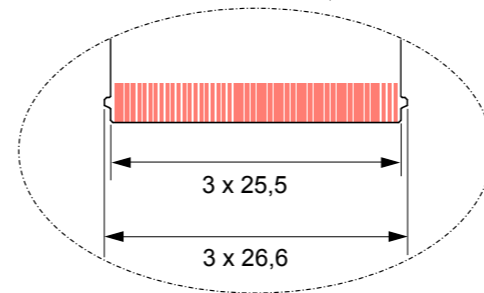
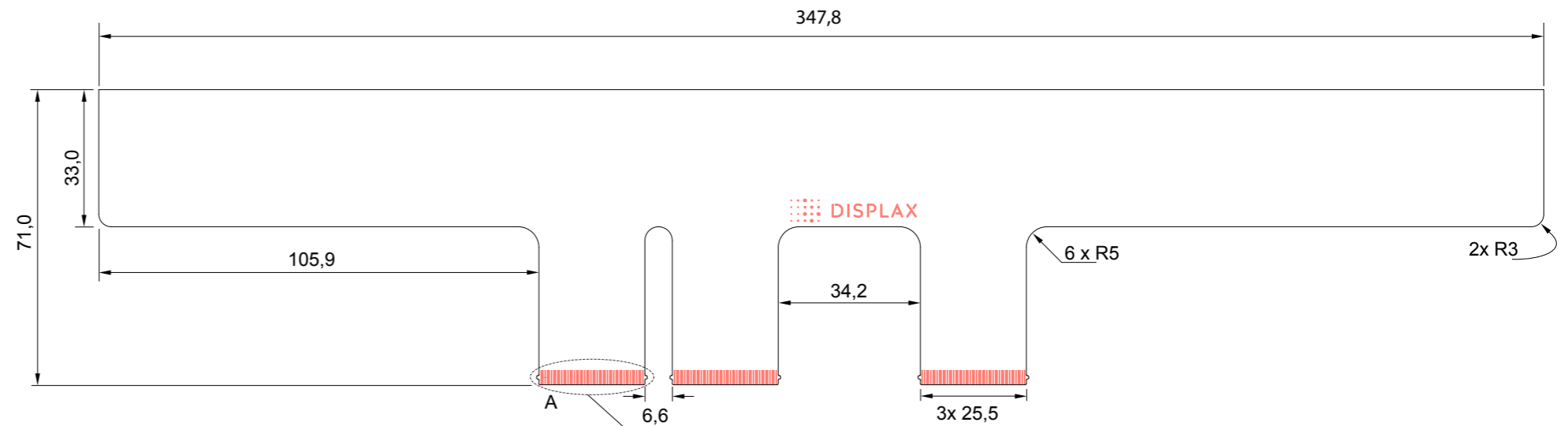


\* For permanent version

		<b>A3</b>			
Material: SKIN - Polymer foil PCB - Fiberglass board Flex Cable - Polyester film		Date: 26/09/2016		Title: <b>SKIN ULTRA FIT STANDARD SIZES DRAWING</b>	
Projection: Third Angle Projection		Drawn by: DISPLAX			
		Dimensions: All dimensions in millimeters		Document code MKT.267.6	
				Sheet 2 of 3	

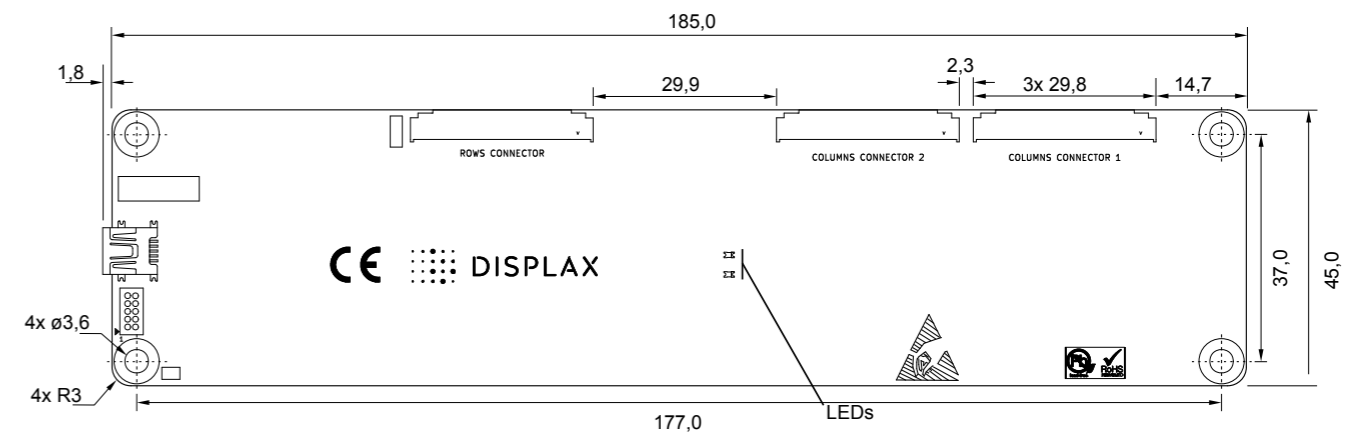
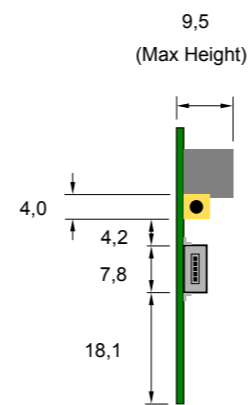
# SKIN ULTRA FIT

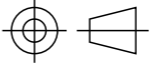
Values in mm  
All information is  $\pm 0,5\text{mm}$



## Touch Controller dimensions

Screw diameter: M3 or M3.5



		A3		DISPLAX	
Material: SKIN - Polymer foil PCB - Fiberglass board Flex Cable - Polyester film		Date: 26/09/2016		Title: SKIN ULTRA FIT STANDARD SIZES DRAWING	
		Drawn by: DISPLAX			
Projection: Third Angle Projection 		Dimensions: All dimensions in millimeters			
				Document code MKT.267.6	Sheet 3 of 3